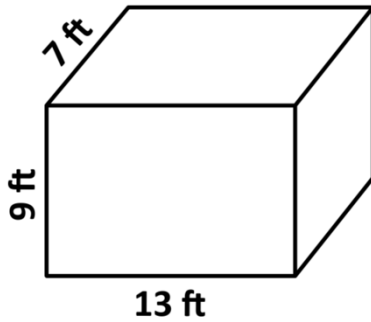


Name: \_\_\_\_\_ Score: \_\_\_\_\_

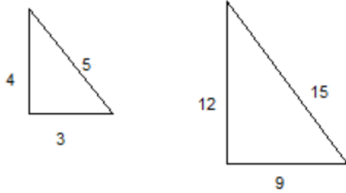
### I – Scale Factor and Volume

1. Find the volume of the following rectangular prism.

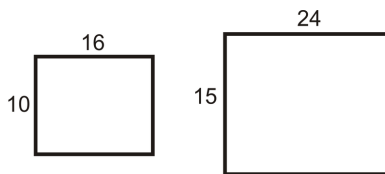


2. What is the width of a rectangular prism that has a volume of  $935 \text{ cm}^3$ , a height of 17 cm, and a length of 11 cm?

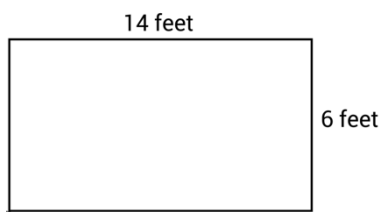
3. What is the scale factor from the smaller triangle to the larger triangle?



4. What is the scale factor from the larger rectangle to the smaller rectangle?



5. Find the perimeter and the area if the shape is enlarged by a scale factor of 3.



#### Answer Column

1) \_\_\_\_\_

2) \_\_\_\_\_

3) \_\_\_\_\_

4) \_\_\_\_\_

5) perimeter:

area: